

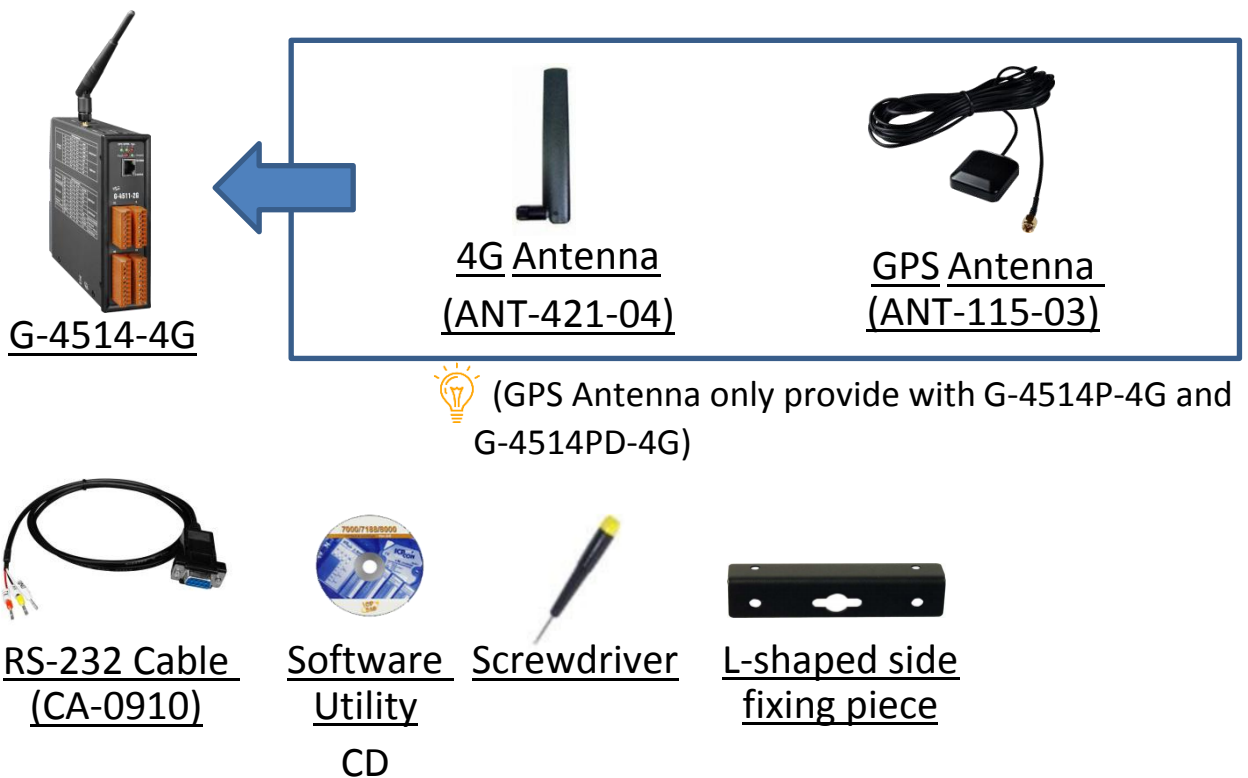


# G-4514-4G Series Quick Start

Version 1.0 April 2018

## 1 Product Content

In addition to this Quick Start, this product also includes these accessories:



## 2 Related Documents and Software Utilities

G-4514-4G Series Related Documents and Software Utilities

<http://ftp.icpdas.com/pub/cd/usbcd/napdos/g-4514-4g>

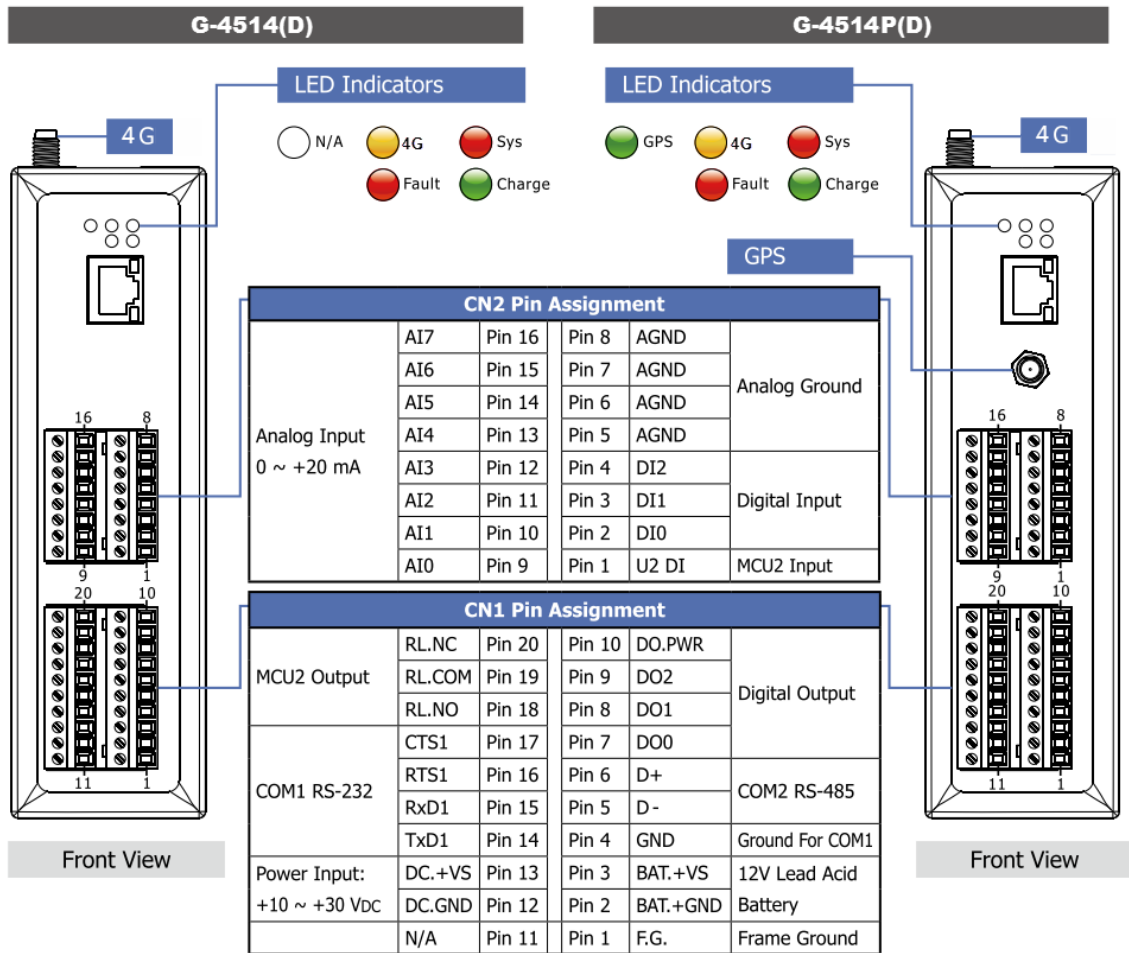
**MiniOS7 Utility**

[http://ftp.icpdas.com/pub/cd/8000cd/napdos/minios7/utility/minios7\\_utility/](http://ftp.icpdas.com/pub/cd/8000cd/napdos/minios7/utility/minios7_utility/)

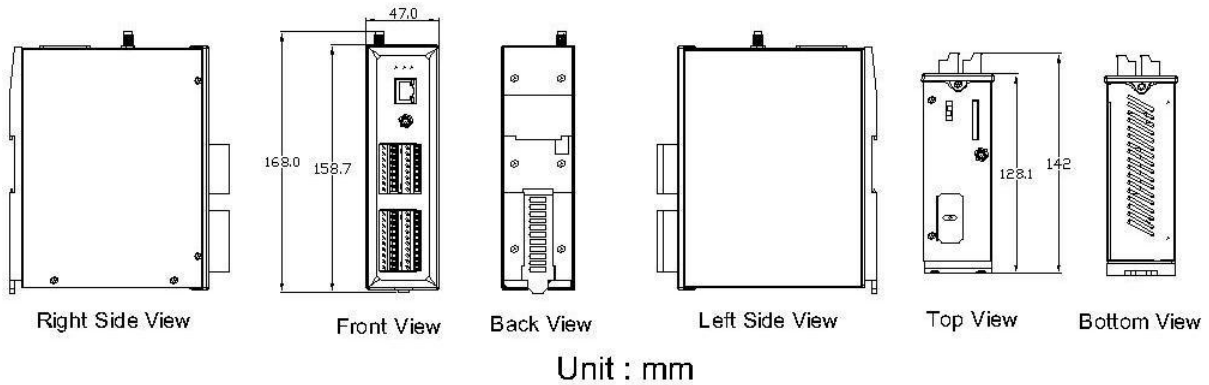
# 3

## Hardware Installation

### Pin Assignments



### Dimensions



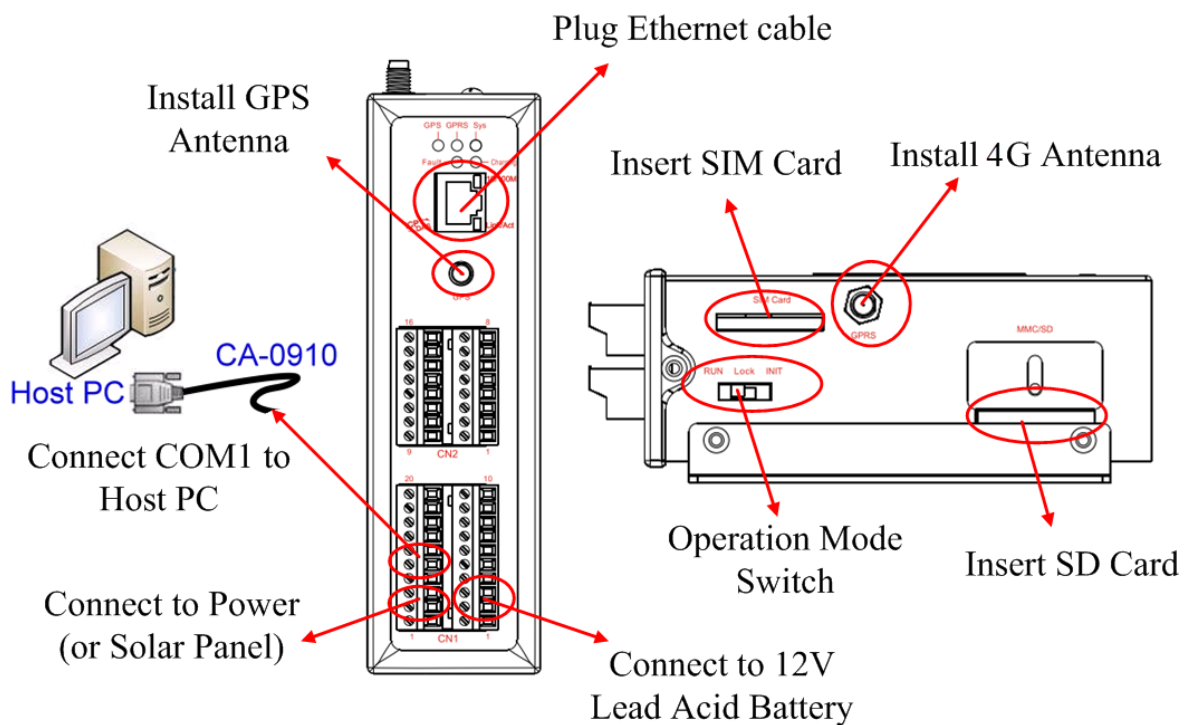
## Installation

**Step 1: Install 4G antenna.**

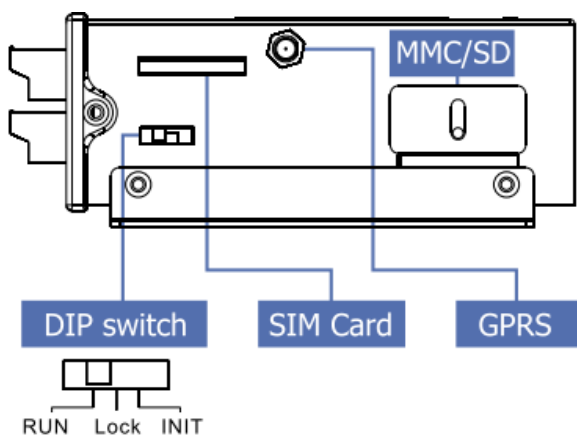
**Step 2: Plug in the normal SIM card (Before apply the SIM card, confirm it is OK by mobile phone.)**

**Step 3: Connect the DC.+VS and DC.GND to the power supply or Solar Panel.**

**Step 4: Connect BAT.+VS and BAT.GND to the 12V Lead Acid Battery.**



## Operation Mode Switch



### Operation Mode Switch

Operation Mode Switch	
RUN	OS can execute autoexec.bat
	Flash can be read/write.
LRun	OS can execute autoexec.bat
	Flash is read only (lock).
INIT	OS can not execute autoexec.bat
	Flash can be read/write.

## Wire Connection

### ➤ Digital Input Wire Connection

Input Type	ON State DI value as <b>0</b>	OFF State DI value as <b>1</b>
Relay Contact		
TTL/CMOS Logic		
Open Collector		

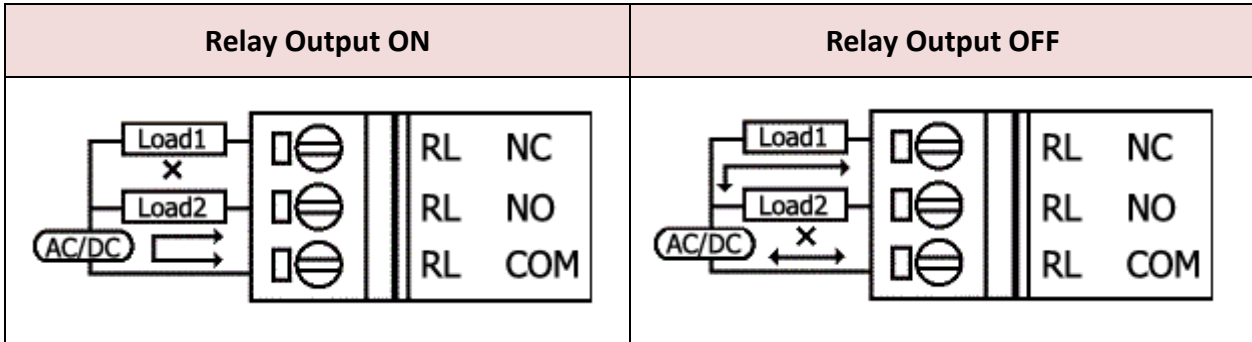
### ➤ Digital Output Wire Connection

Input Type	ON State DO value as <b>1</b>	OFF State DO value as <b>0</b>
Drive Relay		
Resistance Load		

### ➤ Current Input Wire Connection

Input Type	
------------	--

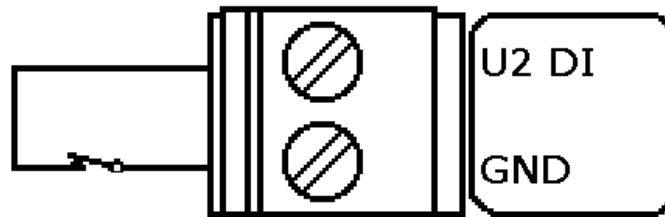
➤ **Relay Wire Connection**



**Wake up from Sleep mode**

Step 1: When G-4514 was in sleep mode, you can connect the Pin “U2 DI” (MCU2 DI) to GND. to awaking G-4514 from sleep mode.

Step 2: You will read “U2 DI” as 0, when you connect “U2 DI” to GND.



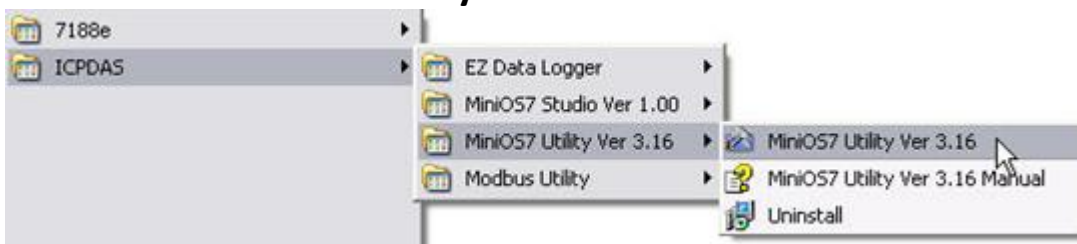
# 4 Download and Run Programs

## 4.1 Install MiniOS7 Utility

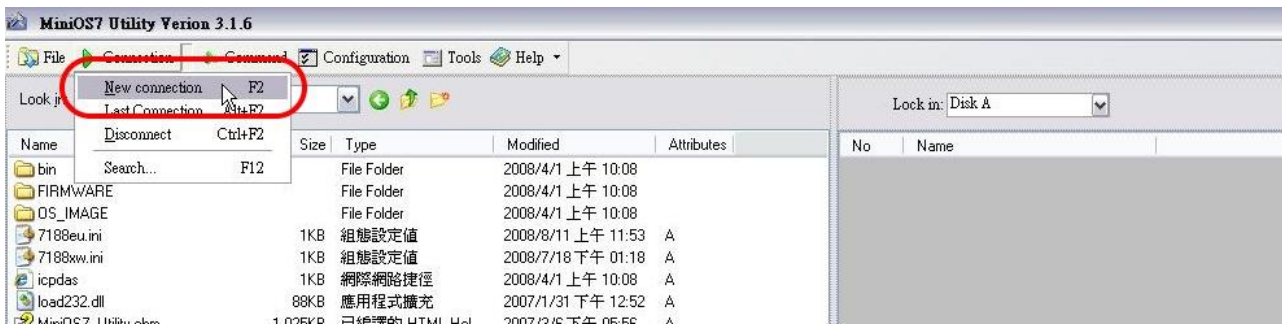
The installation software can be obtained from :

[http://ftp.icpdas.com/pub/cd/8000cd/napdos/minios7/utility/minios7\\_utility/](http://ftp.icpdas.com/pub/cd/8000cd/napdos/minios7/utility/minios7_utility/)

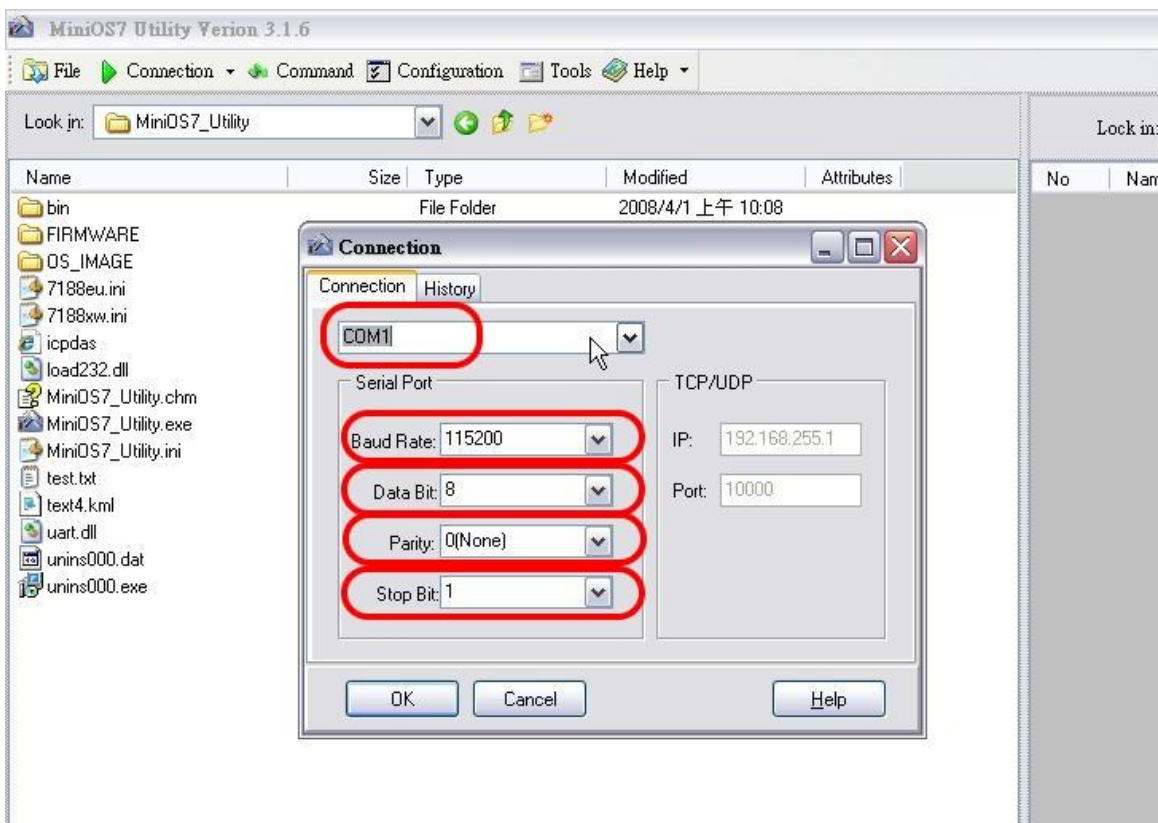
## 4.2 Launch MiniOS7 Utility



### 4.3 Select connect G-4514 to Host PC



### 4.4 Setup the COM Port parameter



### Tips & Warnings



G-4514 default COM Port parameter: 115200, 8, N, 1

## 4.5 Download Demo into the G-4514

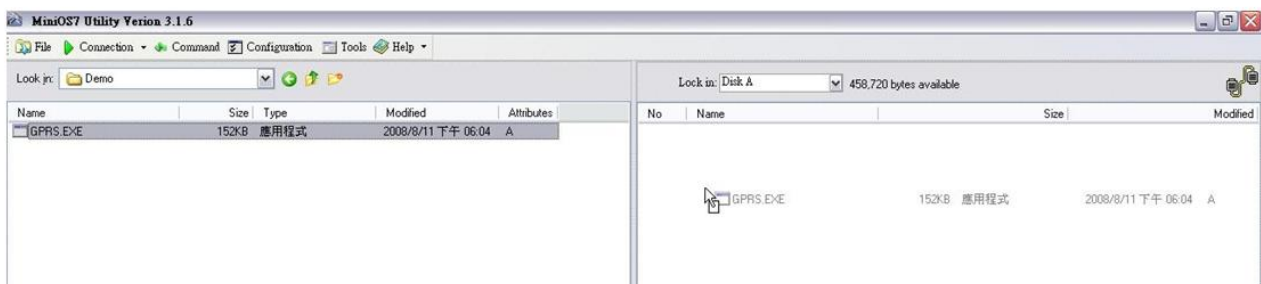
A. You can be obtained from the following location :

CD: \napdos\G-4513\Software\Demo

<http://ftp.icpdas.com/pub/cd/usbcd/napdos/g-4514-4g/software/demo>

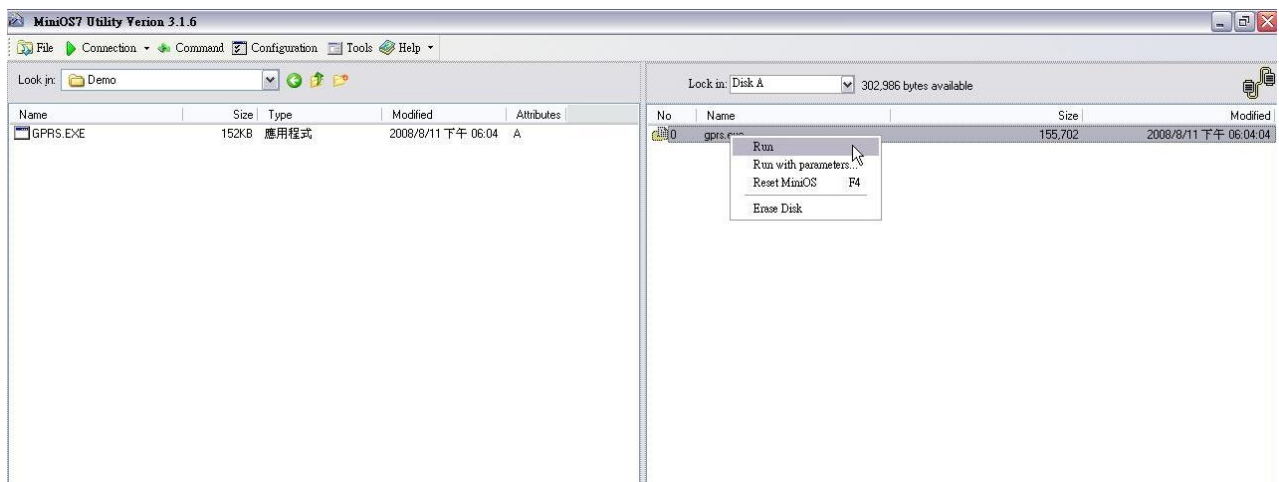
B. Click the “Look in” pull-down menu to the location of Demo.

C. Drag-and-drop the files from left hand window to right hand window.



## 4.6 RUN the Demo

Step 1 : Click “Run” .



Step 2 : Key in the command, “run”, to implement the execution file.

```
ca 7188X W 1.32 [COM1:115200,N,8,1],FC=0,CTS=0, DIR=D:\Demo
7188x for WIN32 version 1.32 <2006/10/17>[By ICPDAS. Tim Tsai.]
[Begin Key Thread...]
Current set: Use COM1 115200,N,8,1
AutoRun:
Autodownload files: None
Current work directory="D:\Demo"
original baudrate = 115200!
now baudrate = 115200!

uP-4500>
uP-4500>run
```

## 5 Technical Support

If you have problems about using the G-4514-4G series, please contact ICP DAS product support.

Email : [Service@icpdas.com](mailto:Service@icpdas.com)

G-4514-4G Series Website :

<http://m2m.icpdas.com/g-4514-4g-series.html>