



DS-700 Series Quick Start

v1.1, Aug. 2018

What's in the box?

In addition to this guide, the package includes the following items:



DS-715 or DS-712 x 1



Quick Start (This Document) x1



Screw Driver x 1



Plastic Rack x1



Pin Terminal x 16

Preparations for Devices

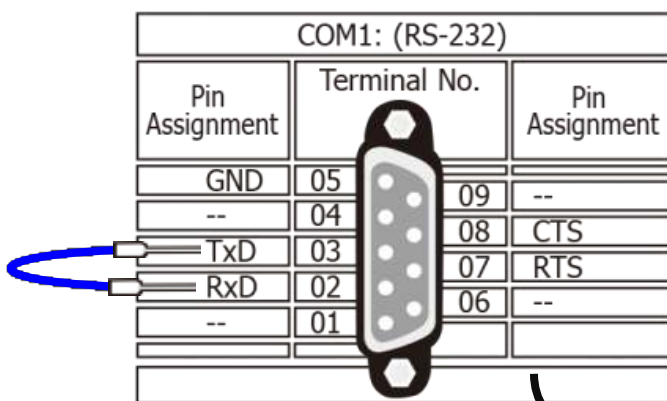
- An External Power supply device, such as the MDR-20-24 (Optional).
http://www.icpdas.com/products/Accessories/power_supply/power_list.htm
- An Ethernet Hub, such as the NS-205 (Optional).
http://www.icpdas.com/products/Switch/industrial/industrial_list.htm
- Make sure your PC has workable network settings. Disable or well configure your Windows firewall and Anti-Virus firewall first, else the “**Search Servers**” on **Chapter 3** may not work. (Please contact with your system Administrator)

1

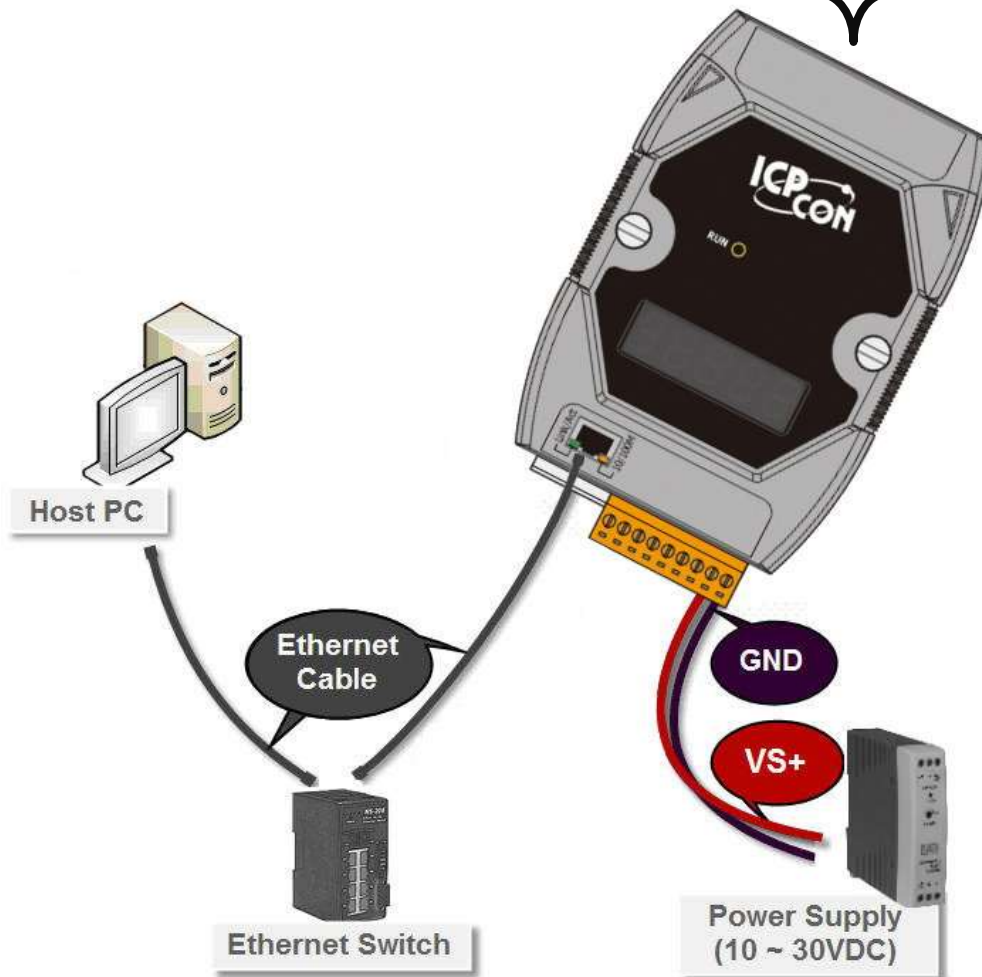
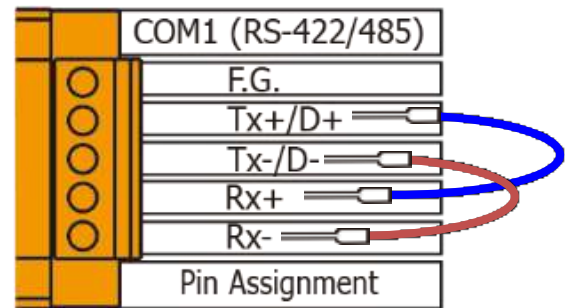
Connecting the Power and Host PC

- 1) Connect both the DS-700 and your PC to the same sub network or the same Ethernet switch.
- 2) Self-test wiring, as follow:
 - **DS-712 (RS-232):** Short the “RxD” and “TxD” pins.
 - **DS-715 (RS-422):** Short the “Tx+” to “Rx+” and “Tx-” to “Rx-” pins.
- 3) Supply power (+10 Vdc ~ +30 Vdc) to the DS-700.

DS-712



DS-715



2 Install the VxComm Utility

The VxComm Utility can be obtained from the ICP DAS FTP site or the ICP DAS web site. The location of the download addresses are shown below:

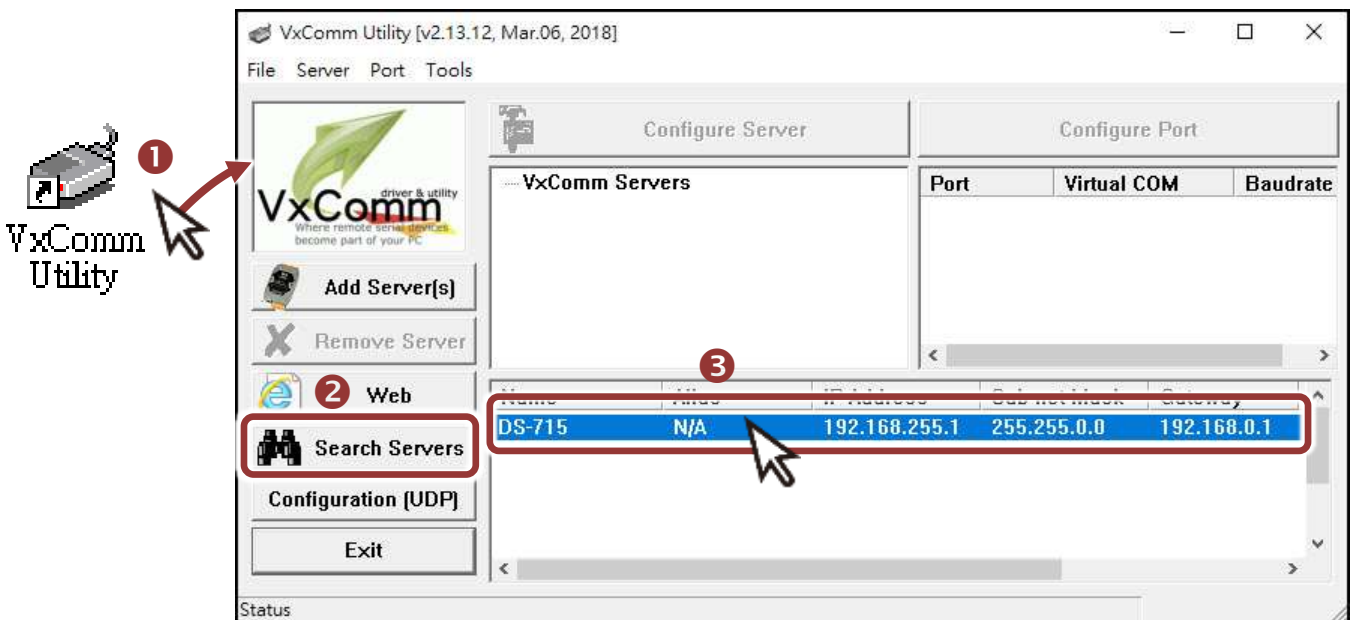


 http://ftp.icpdas.com/pub/cd/8000cd/napdos/driver/vxcomm_driver/windows/

 ftp://ftp.icpdas.com/pub/cd/8000cd/napdos/driver/vxcomm_driver/windows/

3 Configuring Network Settings

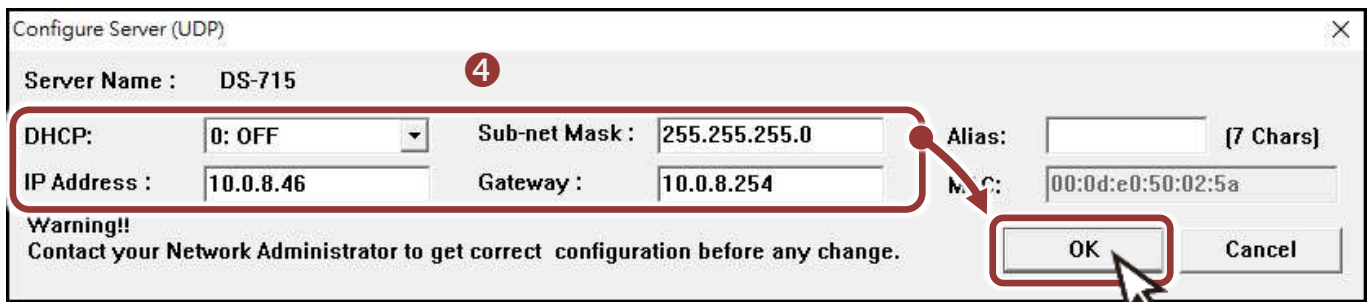
- 1) Double click the VxComm Utility shortcut on the desktop.
- 2) Click the “**Search Servers**” to search your DS-700.
- 3) Double click the **name of DS-700** to open the “Configure Server (UDP)” dialog box.



Factory Default Settings of DS-700:

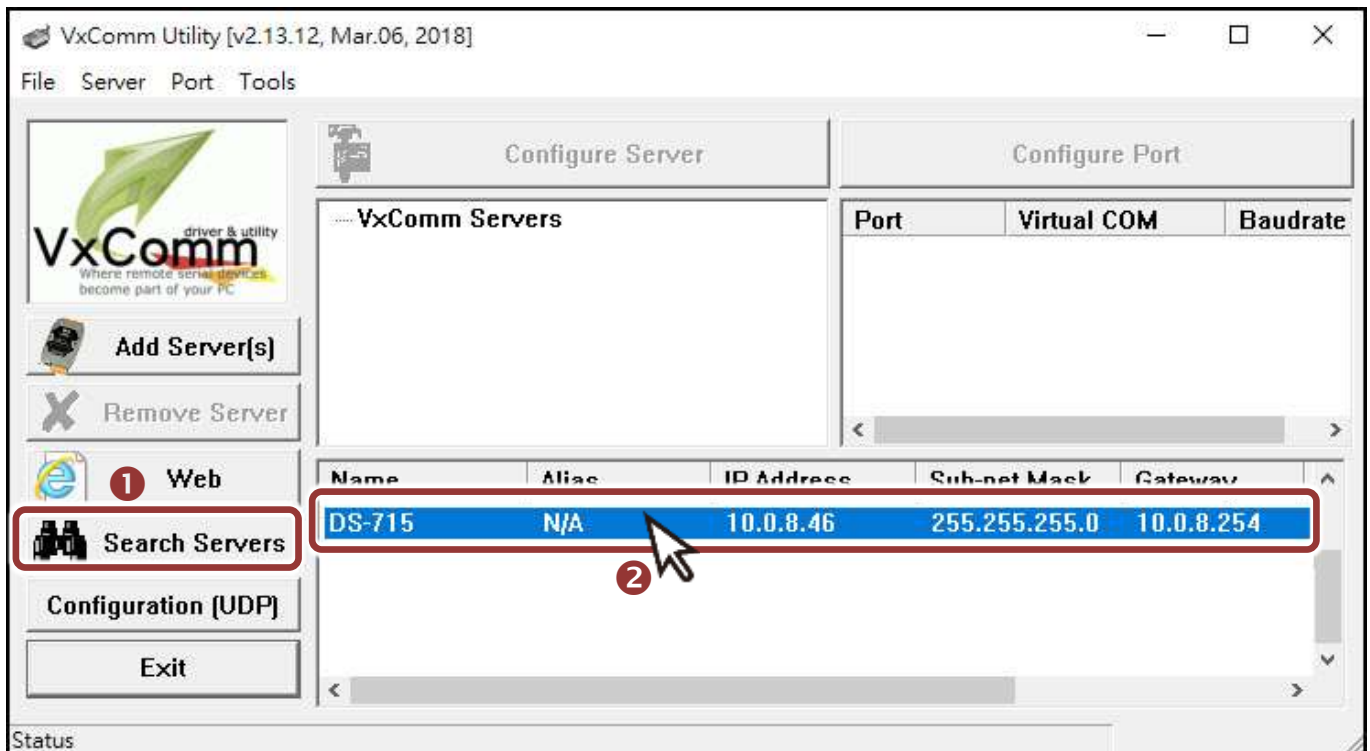
IP Address	192.168.255.1
Subnet Mask	255.255.0.0
Gateway	192.168.0.1

- 4) Contact your Network Administrator to obtain a **correct network configuration (such as IP/Mask/Gateway)**. Enter the network settings and click “OK”. **⚠ Note: The DS-700 will use the new settings 2 seconds later.**



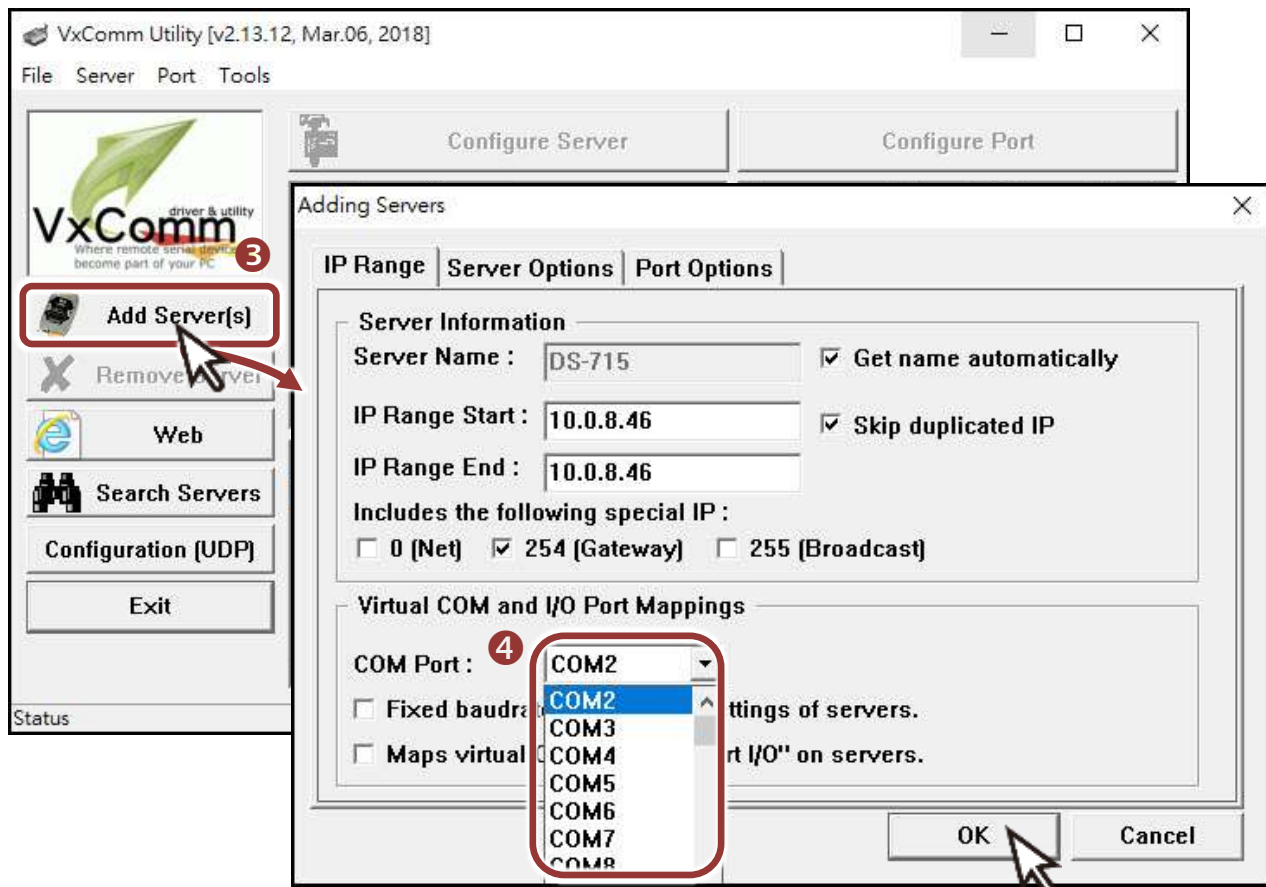
4 Configuring Virtual COM Ports

- 1) Wait 2 seconds and click “**Search Servers**” button again to ensure the DS-700 is working well with new configuration.
- 2) Click the name of DS-700 to select it.

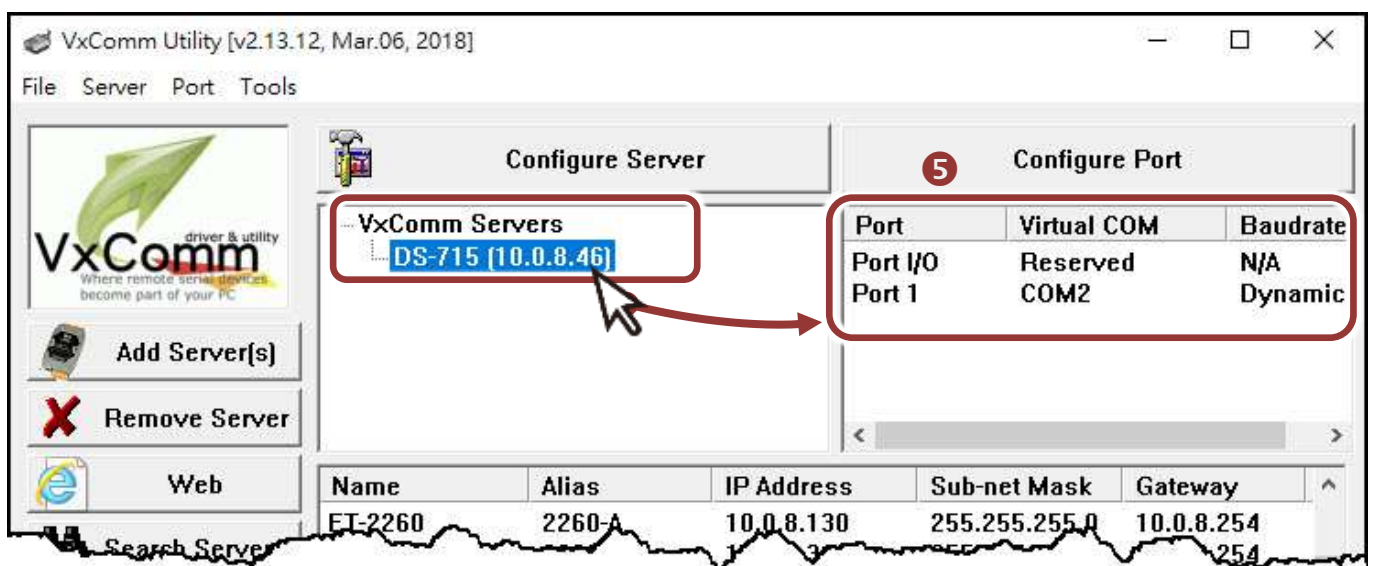


3) Click the “Add Server[S]” button.

4) Assign a COM Port number and click “OK” to save your settings.

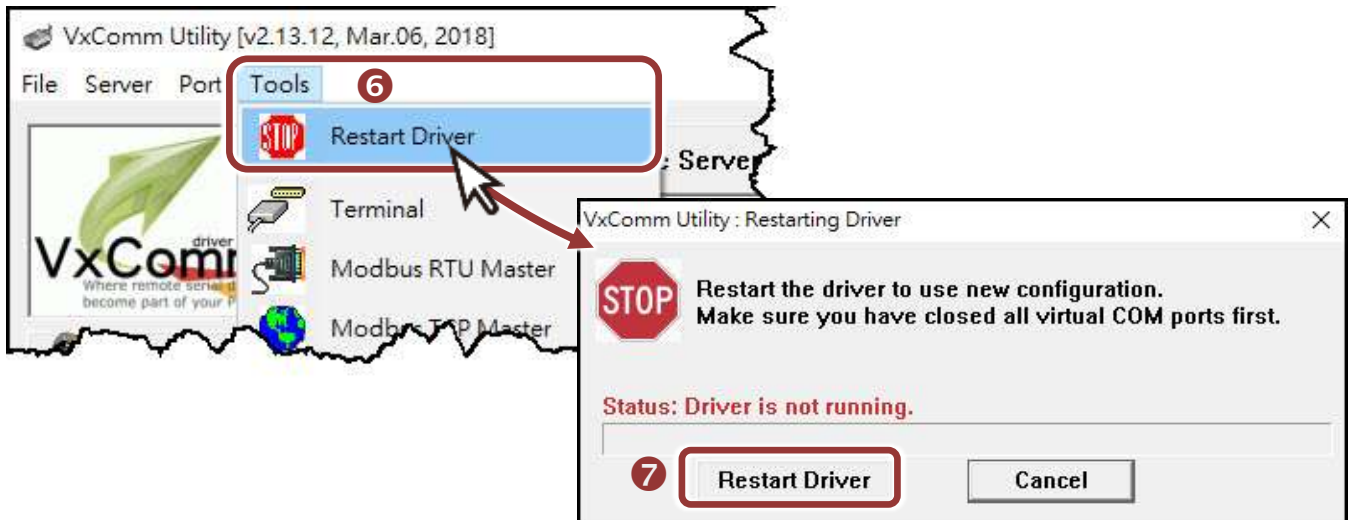


5) Click on DS-700 name and check the virtual COM Port mappings on the PC.



6) Click the “Restart Driver” item in the “Tools” menu to display the “VxComm Utility: Restarting Driver” dialog box.

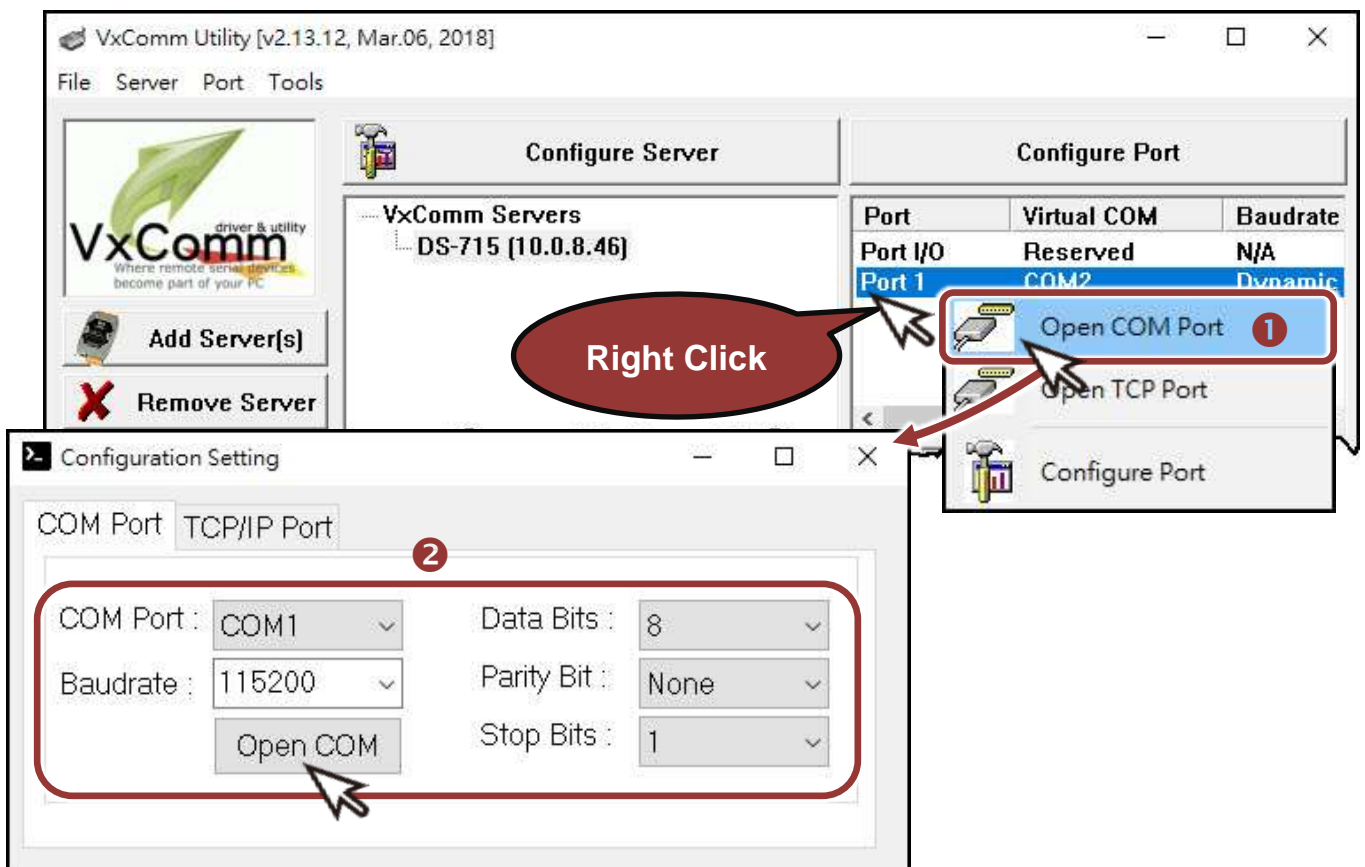
7) Click the “Restart Driver” button.



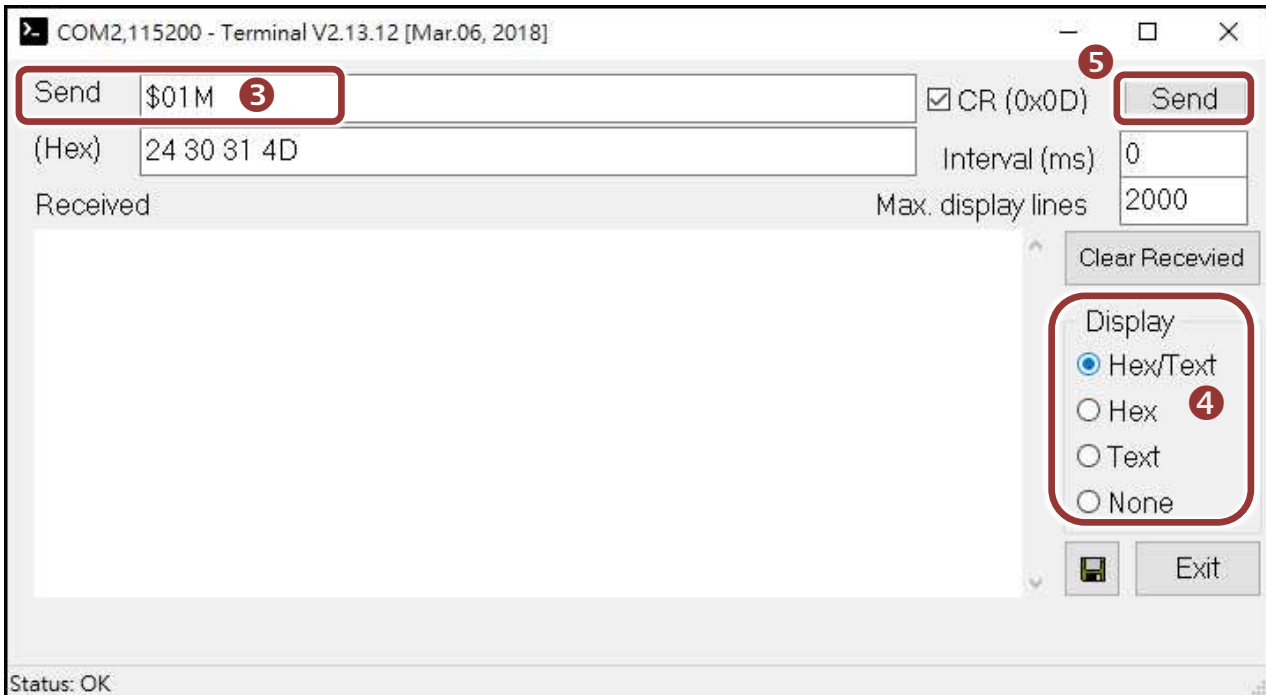
5 Self-Test

1) Right click Port1 and choose the “Open COM Port” item.

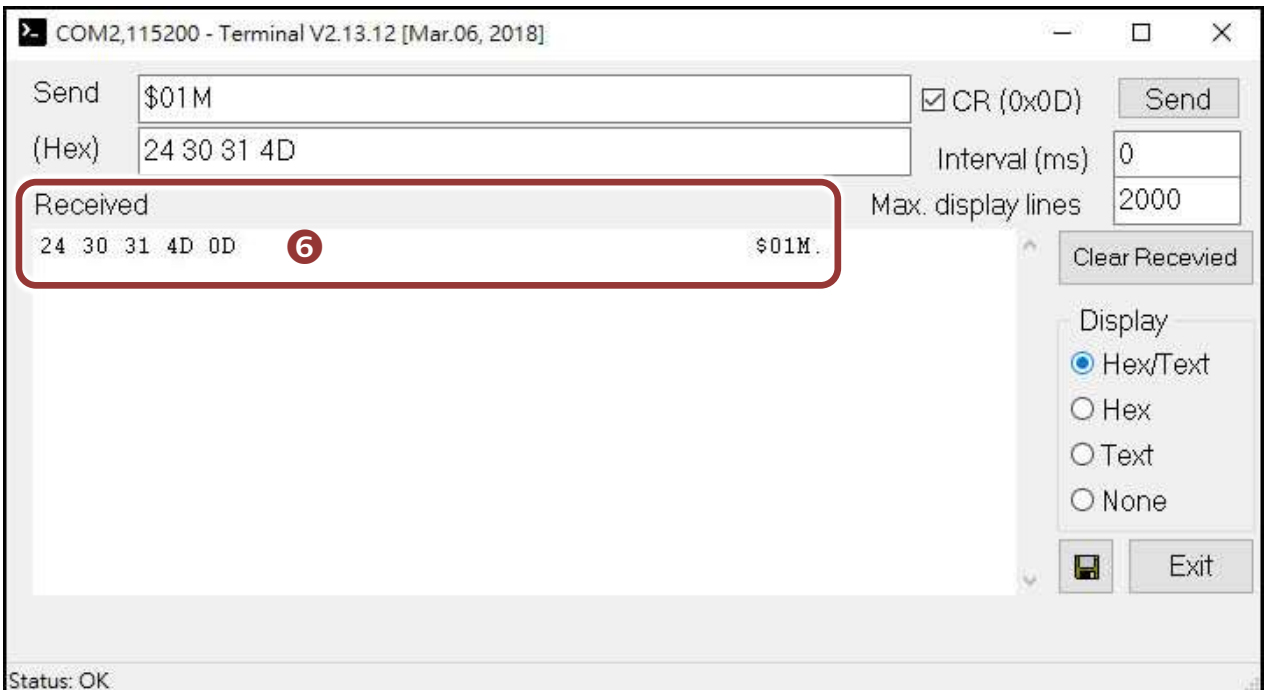
2) Check that the configuration of the COM Port is correct and then click the “Open COM” button.



- 3) Type a string (e.g., \$01M) in the “**Send**” field.
- 4) Click the “**Hex/Text**” option in the “**Display**” section.
- 5) Click the “**Send**” button to send the message.



- 6) If a response is received, it will be displayed in the received field.



If the test is successful, then your COM port program should now be able to work with this Virtual COM Port.

Related Information

- DS/PDS Series Product Page:

http://www.icpdas.com/products/Industrial/pds/PDS-700_Series.htm

- Documentation:

http://ftp.icpdas.com/pub/cd/8000cd/napdos/pds/ds_pds-700/document/

- Firmware:

http://ftp.icpdas.com/pub/cd/8000cd/napdos/pds/ds_pds-700/firmware/

- MDR-20-24, NS-205 Product Page (optional):

http://www.icpdas.com/root/product/solutions/industrial_ethernet_switch/ns-205.html

http://www.icpdas.com/root/product/solutions/accessories/power_supply/mdr-20-24.html

NOTE

The flash protection function is disabled for factory default settings.

User can modify the program or update the firmware. If you want to enable flash protection function, refer to **Section 2.10 Flash Protection Function** of PDS-700 user manual.

The location of the download addresses are shown below:

<http://ftp.icpdas.com/pub/cd/8000cd/napdos/pds/pds-700/document/>